

PLEASE CHECK WWW.MOLEX.COM FOR LATEST PART INFORMATION

Part Number: [0193183012](#)
Status: **Active**
Overview: [versakrimp terminals and splices](#)
Description: VersaKrimp™ SL Ring Type Connectors, Tin Plated Copper, Wire Size 350MCM-450MCM, 1/2" Stud Size

Documents:

[Drawing \(PDF\)](#) [RoHS Certificate of Compliance \(PDF\)](#)

General

Product Family	Ring and Spade Terminals
Series	19318
Comments	340.0A
Crimp Quality Equipment	Yes
Mil-Spec	N/A
Overview	versakrimp terminals and splices
Product Name	VersaKrimp™
Type	Ring

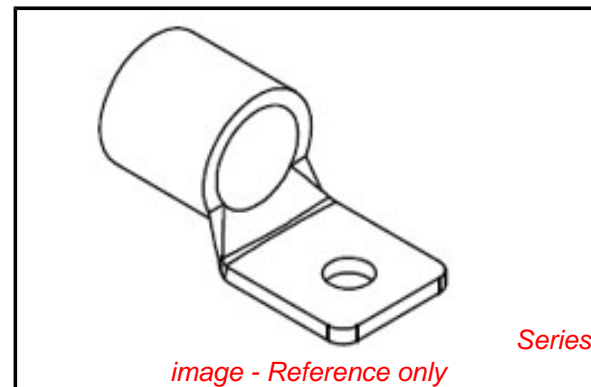
Physical

Barrel Type	Closed - Brazed
Insulation	None
Material - Metal	Copper
Material - Plating Mating	Tin
Packaging Type	Bag
Stud Size	1/2" (M12)
Wire Size AWG	350MCM, 400MCM, 450MCM

Material Info

Reference - Drawing Numbers

Sales Drawing	SD-19318-001
---------------	--------------



EU RoHS

**ELV and RoHS
Compliant**
**REACH SVHC
Not Reviewed**
**Halogen-Free
Status
Not Reviewed**

China RoHS

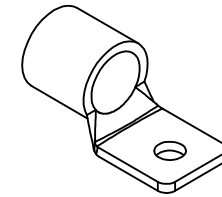
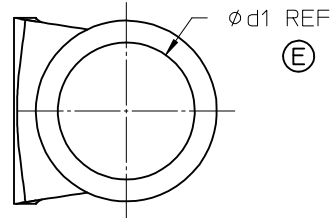
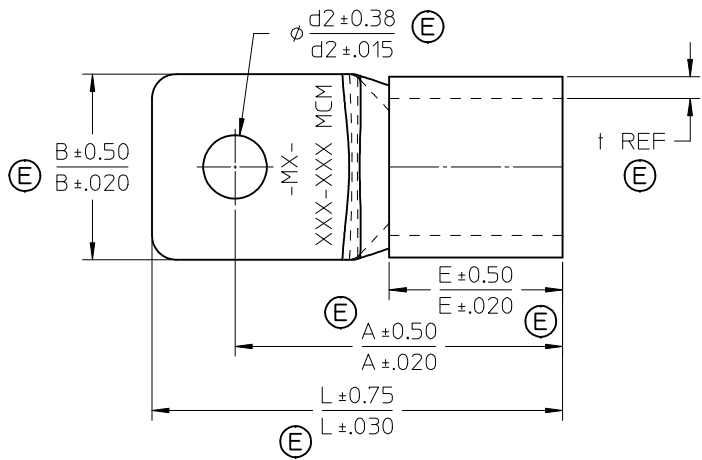


**Need more information on product
environmental compliance?**

Email productcompliance@molex.com
 For a multiple part number RoHS Certificate of Compliance, [click here](#)

Please visit the [Contact Us](#) section for any non-product compliance questions.

Search Parts in this Series
[19318Series](#)



19318-4012 SHOWN

NOTES:

1. MATERIAL: TIN PLATED COPPER
2. PRODUCT IS ROHS COMPLIANT
3. TERMINAL IS MARKED AS SHOWN W/ CORRESPONDING WIRE SIZE

MATERIAL NO.	WIRE RANGE		A	B	d1φ	d2φ	E	L	mm	
	MCM/AWG	mm ²							t	inch
193180026	2 AWG	26.7-42.4	30.0 1.18	12.0 0.47	9.4 0.37	6.4 0.25	14.0 0.55	36.0 1.42	1.8 0.071	
193180108	1/0 AWG	42.4-60.6	38.7 1.52	16.0 0.63	11.4 0.45	8.4 0.33	18.0 0.71	48.0 1.89	2.0 0.079	
193180110	1/0 AWG	42.4-60.6	38.7 1.52	16.0 0.63	11.4 0.45	10.5 0.41	18.0 0.71	48.0 1.89	2.0 0.079	
193180308	3/0 AWG	76.3-96.3	40.7 1.60	20.0 0.79	14.5 0.57	8.4 0.33	18.0 0.71	50.5 1.97	2.3 0.091	
193180310	3/0 AWG	76.3-96.3	40.7 1.60	20.0 0.79	14.5 0.57	10.5 0.41	20.0 0.79	50.0 1.97	2.3 0.091	
193180312	3/0 AWG	76.3-96.3	40.7 1.60	20.0 0.79	14.5 0.57	13.0 0.51	20.0 0.79	50.0 1.97	2.3 0.091	
193180408	4/0 AWG	96.3-117	41.4 1.63	22.0 0.87	16.4 0.65	8.4 0.33	21.0 0.83	52.0 2.05	2.6 0.10	
193180410	4/0 AWG	96.3-117	41.4 1.63	22.0 0.87	16.4 0.65	10.5 0.41	21.0 0.83	52.0 2.05	2.6 0.10	
193180412	4/0 AWG	96.3-117	41.4 1.63	22.0 0.87	16.4 0.65	13.0 0.51	21.0 0.83	52.0 2.05	2.6 0.10	
193181010	250-300MCM	117-152	47.5 1.87	25.0 0.98	19.5 0.77	10.5 0.41	27.0 1.06	60.0 2.36	3.2 0.13	
193181012	250-300MCM	117-152	47.5 1.87	25.0 0.98	19.5 0.77	13.0 0.51	27.0 1.06	60.0 2.36	3.2 0.13	
193183010	350-450MCM	193-242	56.0 2.20	36.0 1.42	24.0 0.94	10.5 0.41	31.5 1.24	72.0 2.83	4.0 0.16	
193183012	350-450MCM	193-242	56.0 2.20	36.0 1.42	24.0 0.94	13.0 0.51	31.5 1.24	72.0 2.83	4.0 0.16	
193184010	500-600MCM	242-325	67.0 2.64	38.0 1.50	28.0 1.10	10.5 0.41	35.5 1.40	84.0 3.31	4.5 0.18	
193184012	500-600MCM	242-325	67.0 2.64	38.0 1.50	28.0 1.10	13.0 0.51	35.5 1.40	84.0 3.31	4.5 0.18	

ENTER DESCRIPTION EC NO: WNAZ009-0806 DRAWN: MODELL 2009/06/05 CHKD: 2009/06/08 APPR: RDEROSS 2009/06/08 REV	QUALITY SYMBOLS ▽=0 ▽=0	GENERAL TOLERANCES (UNLESS SPECIFIED) mm INCH 4 PLACES ± --- ± --- 3 PLACES ± --- ± --- 2 PLACES ± --- ± --- 1 PLACE ± --- ± --- ANGULAR ± ---°	DIMENSION STYLE MM/IN DRAWN BY DATE MODELL 2009/02/18 CHECKED BY DATE RDEROSS 2009/02/18 APPROVED BY DATE RDEROSS 2009/02/18	SCALE 1:1 TITLE SL SERIES SQUARE TYPE 2 AWG TO 600 MCM	DESIGN UNITS METRIC THIRD ANGLE PROJECTION	
	DRAFT WHERE APPLICABLE MUST REMAIN WITHIN DIMENSIONS			MATERIAL NO. SEE CHART	DOCUMENT NO. SD-19318-001	SHEET NO. 1 OF 1
	MOLEX INCORPORATED					
	THIS DRAWING CONTAINS INFORMATION THAT IS PROPRIETARY TO MOLEX INCORPORATED AND SHOULD NOT BE USED WITHOUT WRITTEN PERMISSION					